



BREWART

QUICKSTART

STEP BY STEP GUIDE

This manual covers
the basic setup
and operation of
your BrewFlo.

BREWFLO
TEMPERATURE CONTROLLED
BEER DISPENSER



Hints and Tips

BREWART.COM/101 has comprehensive how-to videos, FAQs, tips and downloads.

Welcome to the perfect pour!

Congratulations on the purchase of your BrewArt BrewFlo.

To ensure a safe, successful and rewarding experience... please read these instructions fully prior to use, and if you have any queries, do not hesitate to contact Customer Service.

For comprehensive how-to video instructions go to BREWART.COM/101.

Safety

To prevent injury:

- Read all instructions before use.
- Remove packaging and safely discard packing material.
- Only lift or transport your BrewFlo when it is empty.
- Keep your BrewFlo upright in a cool, dry position away from direct sunlight and heat.
- When not in use, keep machine turned off at the power point.
- Keep all vents clear.
- Do not disassemble your BrewFlo for any reason.
- Only use genuine BrewArt accessories.
- Only use your BrewFlo for dispensing BrewArt Kegs.
- Keep your BrewFlo away from children and pets.
- Do not store explosive substances such as aerosol cans with a flammable propellant in your BrewFlo.
- If the power cord is damaged, it must be replaced by the manufacturer, its service agent or similarly qualified persons in order to avoid a hazard.
- The BrewFlo is intended for household and domestic use only.
- The BrewFlo is not intended for use by persons with reduced physical, sensory or mental capabilities, or lack of experience and knowledge, unless they are supervised or given instruction concerning the use of the BrewFlo by a person responsible for their safety.
- Only use a soft damp cloth to wipe down external surfaces. Do not use solvents or harsh chemicals. A mild detergent may be used.
- Failure to keep your BrewFlo upright may result in damage to its compressor cooling system.

Customer Service

Phone: 1300 240 242

Email: info@brewart.com

To discover the full BrewArt experience head to WWW.BREWART.COM

BrewArt BeerDroid and BrewFlo come with a **12 month Limited Replacement Warranty**. To view full Terms and Conditions of Sale, including Limited Replacement Warranty details and to record your warranty online go to brewart.com/register

Your BrewArt BrewFlo has been designed and manufactured to the highest safety specifications and all relevant Australian and New Zealand Standards (AS/NZS 60335.2.24:2010 Inc A1, AS/NZS 60335.1:2011 Inc A1-2, AS/NZS 4268:2012).

⚠ WARNING:

Keep your BrewFlo upright in a cool, dry position out of direct sunlight and other heat sources. Designed for household use only.

⚠ WARNING:

Keep plastic bag out of reach of children.

Let's Get Started

1 Unboxing

Place your BrewFlo box on the floor and open the top of the box.

Remove the foam, keeping other items as you will need these later.

Using safe lifting techniques, lift the BrewFlo out of the box, by gripping the sturdy plastic bag with both hands.

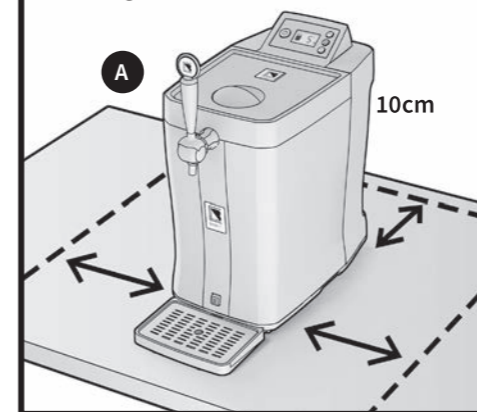
ⓘ IMPORTANT

DO NOT tilt or lay BrewFlo on its back or side as this can cause damage to the compressor.

2 Preparation

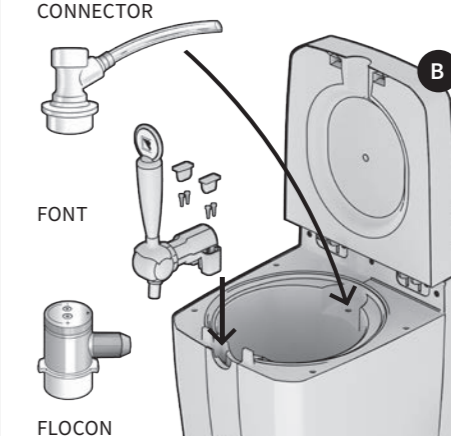
Position your BrewFlo on a clean flat surface in a dry area away from direct sunlight or other heat sources.

Ensure all vents are free of obstructions and your BrewFlo is at least 10cm away from walls and other objects – see Diagram A.

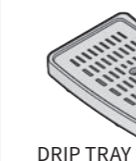


3 Assembly

AIR LINE & CONNECTOR



FLOCON



DRIP TRAY

ⓘ Tip

Use a magnetic screwdriver to make inserting screws easier.

- Insert Power Cord into rear of BrewFlo.
- Open your BrewFlo lid.
- Fit the beer Font into your BrewFlo and, using the screws, secure it in place – see Diagram B.
- Insert plugs into the recesses to either side of the Font.
- Insert the Drip Tray by sliding it into the base of your BrewFlo.
- Insert Air Line and Connector into air line port pushing in firmly; you will feel initial grip, however it is important to continue to push until fully seated – approx. 15mm, then pull back gently to engage seal – see Diagram C.
- Close your BrewFlo lid.

4 Powering Up

Connect to power. Turn power switch at rear of BrewFlo to ON.

This display screen will light up and enter stand by mode. Press button to turn on.

ⓘ Note

Cleaning your BrewFlo

When not in use turn off at the rear power switch.

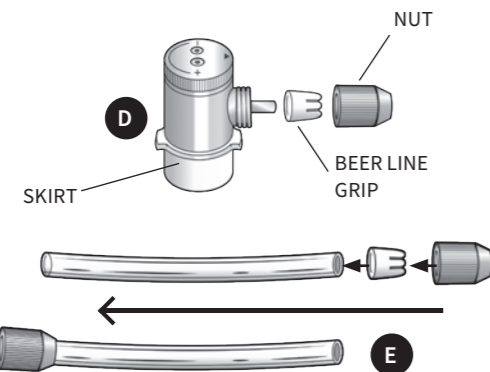
ⓘ Note

Use only BrewArt 5 Litre Kegs. Your BrewFlo will chill a warm Keg in approximately 10 hours so for immediate use we suggest you pre-chill your Kegs in your refrigerator.

Operation

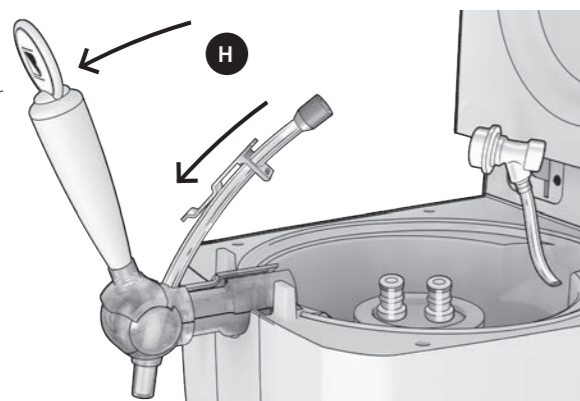
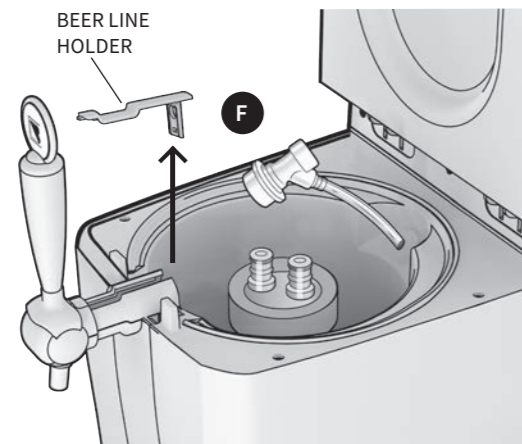
1. Inserting a Keg

- Only use BrewArt Kegs that have fully completed their secondary fermentation. If unsure, visit brewart.com/101
- Open the lid and insert a BrewArt Keg.



2. Inserting the Beer Line

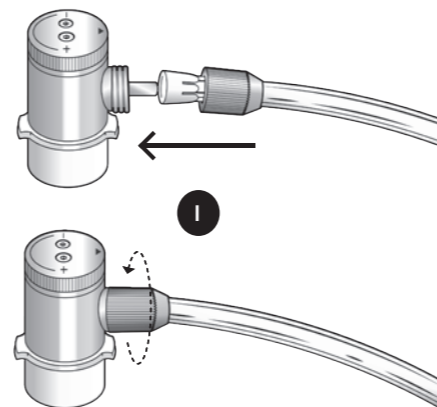
- Remove the nut and plastic Beer Line Grip from the FloCon - see Diagram D.
- Slide Beer Line Grip on to the Beer Line, followed by the nut, until both reach the end - see Diagram E.
- Press button at rear of Font to release the Beer Line Holder - see Diagram F.
- Unclip the Beer Line Holder and feed the open end of the Beer Line all the way through the hole - see Diagram G.
- Pull the Font handle forward, and then feed the open end of the Beer Line into the Font until it stops (approximately 30mm) - see Diagram H.
- Release the Font handle.



- Clip the Beer Line Holder with Beer Line back into place.
- Connect the Beer Line to the FloCon by pushing the Beer Line and Beer Line Grip over the nozzle, then thread the nut until tight - see Diagram I.

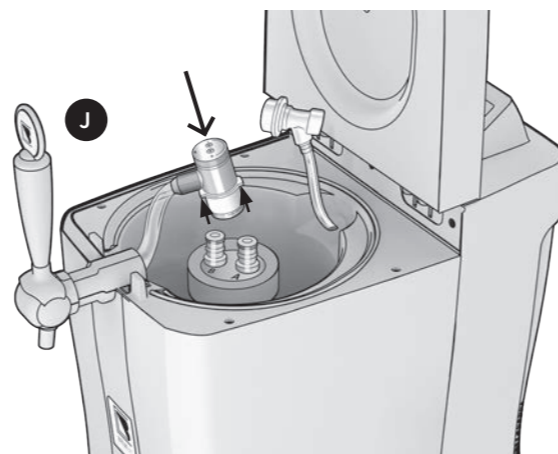
i Note

The Beer Line must be installed in the Font before connecting it to the FloCon.



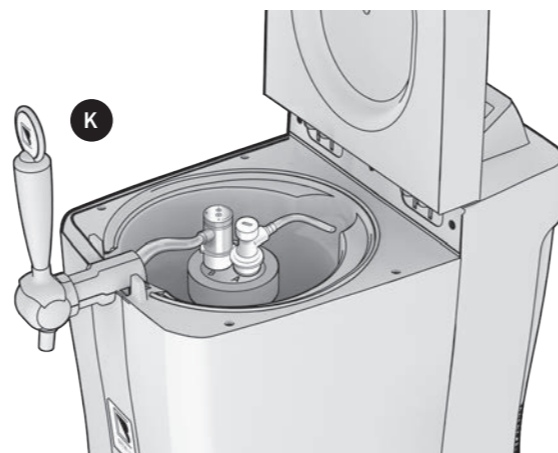
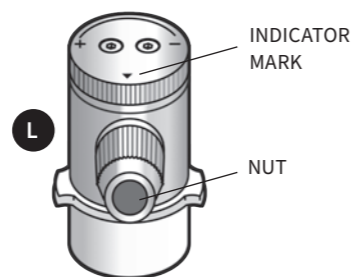
3. Connecting the lines

- Connect the FloCon to the Beer Valve (marked on Keg Cap as "B") by lifting the skirt of the FloCon and pushing down until skirt clicks into place - see Diagram J.
- Connect the Air Line to the Air Valve (marked on Keg Cap as "A") by lifting the skirt of the Air Line Connector and pushing down until skirt clicks into place - see Diagram K.

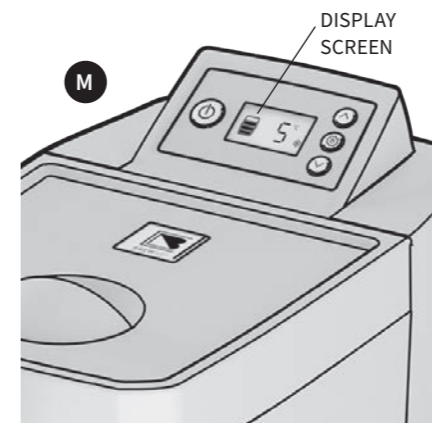


4. Preparing to pour

- Align the indicator mark on top of the FloCon with the centre of the nut to set beer flow speed - see Diagram L.
- Close your BrewFlo lid.



- The Beer Level Indicator on the display screen of the BrewFlo should show the approximate beer level in the Keg. - see Diagram M.
- Check temperature is displayed on display screen of BrewFlo. If not press once. Target temperature will now be displayed. Use the and arrows to change the target temperature.
- The BrewFlo will adjust the temperature accordingly. The icon will appear on the display screen to indicate the BrewFlo is cooling.
- For Keg cooling time refer to: **Step 4: Powering Up** overleaf.



NOW ON TO THE REWARDING PART...

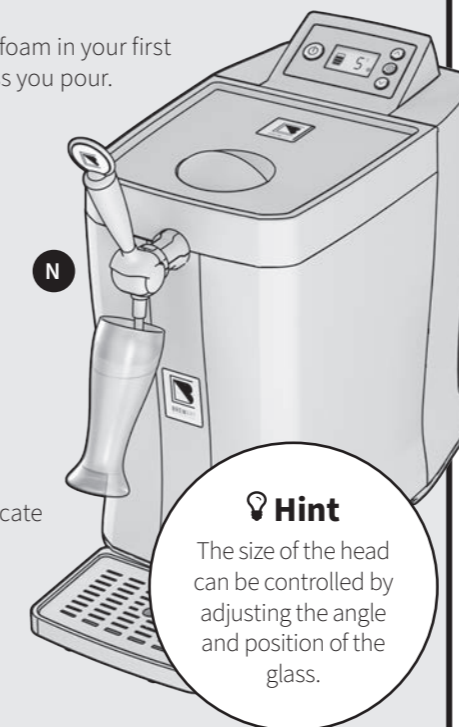
Pouring a beer

- When the beer is at target temperature, hold a clean glass on a slight angle underneath the beer Font Tap - see Diagram N - and pull the Font Handle all the way towards you in one smooth action. Refer to brewart.com/101
- When a Keg is first inserted there will be additional foam in your first pour. We recommend discarding the first half a glass you pour.

i Note

DO NOT immerse the Font nozzle into the beer or foam while pouring.

- As it fills, straighten the glass slowly until it is fully upright.
- When the beer head reaches the rim of the glass, quickly release the Font Handle to return it to the off position.
- The Beer Level Indicator on the LCD screen will indicate how much beer is left in the Keg. For shelf-life and expiry of Kegs, see brewart.com/101
- For hints and tips on temperature, controlling beer flow speed (FloCon) and pressure adjustment, see brewart.com/101



i Hint

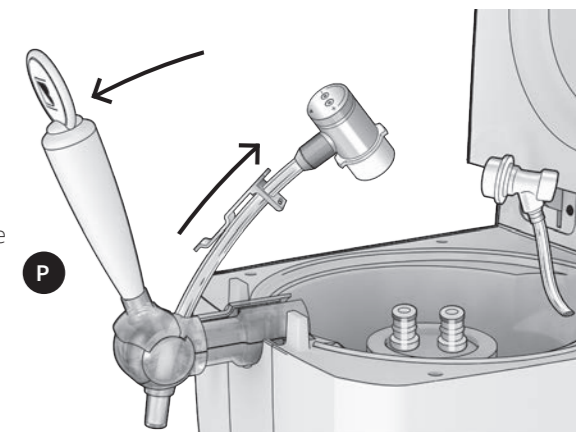
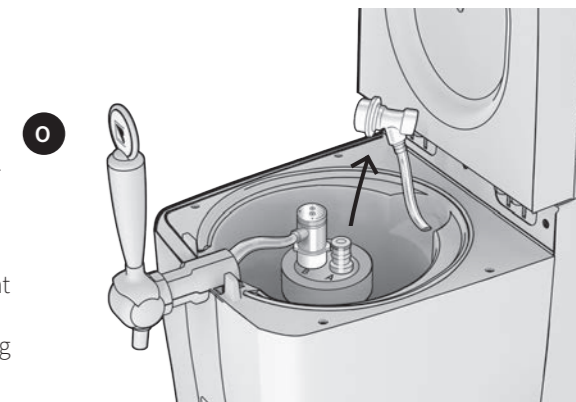
The size of the head can be controlled by adjusting the angle and position of the glass.

Removing Kegs

- Fully close FloCon to (-) by turning the dial clockwise until it stops.
- Remove the Air Line by lifting the Air Line Connector skirt to release - see Diagram O.
- Place a glass under the tap, pull Font Handle forward to release pressure, then disconnect the FloCon by lifting the skirt.
- If using a new Keg immediately, the FloCon and Beer Line can be connected to new Keg.

If you do not intend to dispense a new Keg you will need to remove the Beer Line.

- To remove the Beer Line release the Beer Line Holder by pressing the button to unclip it from the Font.
- Pull Font Handle forward and remove Beer Line - see Diagram P.
- Remove the Keg.



Depressurising Empty Kegs and Removing Keg Liners

- To depressurise the Keg, press the BrewArt Multitool firmly over Air Valve.
- Wait for air to completely expel from the Keg.
- Unscrew the Keg Cap and remove foil Keg Liner.
- Safely dispose of the foil Keg Liner.
- For full cleaning and sanitising instructions see brewart.com/101

i Note

Cleaning your BrewFlo

Only use a soft damp cloth to wipe down external surfaces. Do not use solvents or harsh chemicals. A mild detergent may be used.